

NOTES:

1. MATERIAL OF CONSTRUCTION IS ALUMINUM.
2. COATED IN 2-4 MILS GLOSS BLUE POWDER COATING.



PEDESTALPRO.COM
1-800-660-3072

UNLESS OTHERWISE SPECIFIED:

DIMENSIONS ARE IN INCHES
TOLERANCES:
FRACTIONAL $\pm 1/32$
ANGULAR: $\pm 2^\circ$
TWO PLACE DECIMAL ± 0.010
THREE PLACE DECIMAL ± 0.005

INTERPRET GEOMETRIC
TOLERANCING PER:
ASME Y14.5 -2009

NAME	DATE
DRAWN	
CHECKED	

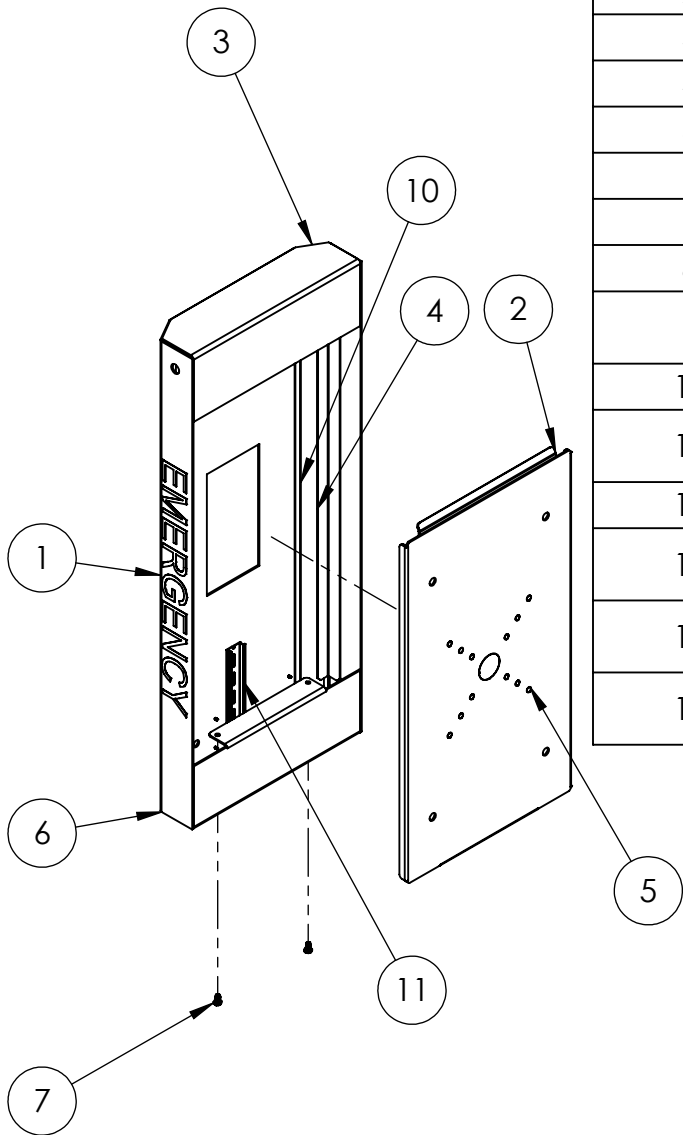
PROPRIETARY AND CONFIDENTIAL
THE INFORMATION CONTAINED IN THIS DRAWING IS THE SOLE PROPERTY OF PEDESTALPRO LLC. ANY REPRODUCTION IN PART OR AS A WHOLE WITHOUT THE WRITTEN PERMISSION OF PEDESTALPRO LLC IS PROHIBITED.

TITLE:
INSTALLATION

Thursday, December 1, 2022 8:53:01 AM

WEIGHT: 19.179

SIZE	PART NO.	REV
A	156STA-AXIS-01-ALU	A
NO SCALE		SHEET 1 OF 11



ITEM NO.	PART NUMBER	DESCRIPTION	QTY.
1	156STA-AXIS-01-ALU BODY	ALUM BODY	1
2	156STA-AXIS-01-ALU HOOK	WALL BRACKET HOOK	1
3	156STA-AXIS-01-ALU CAP	TOP CAP	1
4	156STA-AXIS-01-ALU LIGHT	LIGHTING BRACKET	2
5	156STA-AXIS-01-ALU MOUNT	WALL MOUNTING BRACKET	1
6	156STA-AXIS-01-ALU PLUG	BOTTOM CAP	1
7	--	1/4-20 X 1/2" HHCS	2
8	PUSH FOR HELP DECAL	3M WHITE REFLECTIVE VINYL	1
9	WALL STATION EMERGENCY DECAL	3M WHITE REFLECTIVE VINYL	2
10	156STA-AXIS-01-ALU ACRYLIC	FROSTED ACRYLIC DIFFUSER	2
11	--	DIN MOUNTING RAIL	1
12	156STA-AXIS-01-ALU STROBE	BLUE STROBE LED LIGHT	4
13	--	PASSIVATED 18-8 STAINLESS STEEL PAN HEAD PHILLIPS SCREW	16
14	WALL STATION EMERGENCY DECAL 2	3M WHITE REFLECTIVE VINYL	1
15	--	PANEL PLUGS	2

NOTES:

1. SEE STANDARD PREPARATION AND COATING INSTRUCTIONS FOR COATING PROCEDURE AND COLOR.
2. SEE STANDARD PACKAGING INSTRUCTIONS FOR PACKAGING PROCEDURE.



PEDESTALPRO.COM
1-800-660-3072

UNLESS OTHERWISE SPECIFIED:

DIMENSIONS ARE IN INCHES
TOLERANCES:
FRACTIONAL $\pm 1/32$
ANGULAR: $\pm 2^\circ$
TWO PLACE DECIMAL ± 0.010
THREE PLACE DECIMAL ± 0.005

INTERPRET GEOMETRIC TOLERANCING PER: ASME Y14.5 -2009

NAME	DATE
DRAWN	
CHECKED	
PROPRIETARY AND CONFIDENTIAL	
THE INFORMATION CONTAINED IN THIS DRAWING IS THE SOLE PROPERTY OF PEDESTALPRO LLC. ANY REPRODUCTION IN PART OR AS A WHOLE WITHOUT THE WRITTEN PERMISSION OF PEDESTALPRO LLC IS PROHIBITED.	

TITLE:
ASSEMBLY

Thursday, December 1, 2022 8:53:01 AM

WEIGHT: 19.179

SIZE	PART NO.	REV
A	156STA-AXIS-01-ALU	A
NO SCALE		SHEET 2 OF 11